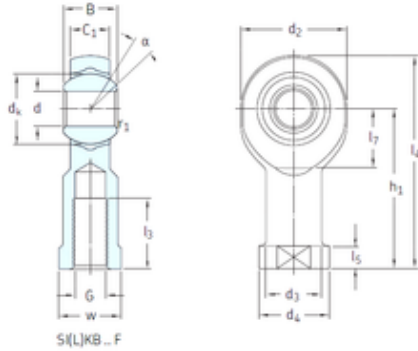




**SKF SILKB8F plain bearings**



Bearing No. SILKB8F

Bore Diameter	8 mm
d	8 mm
d2 max.	25 mm
d3	12,5 mm
d4 max.	17 mm
dk	15,8 mm
h1	36 mm
l3 min.	12 mm
l4 max.	49 mm
l5	5 mm
l7 min.	12 mm
r1 min.	0,3 mm
B	12 mm
C1 max	9 mm
w	14 Tolerance h14
Thread (G)	M8 Tolerance 6H
Angle	14 °
Weight	0,047 Kg
Basic dynamic load rating (C)	7,1 kN

SILKB8F Bearing 2D drawings and 3D CAD models