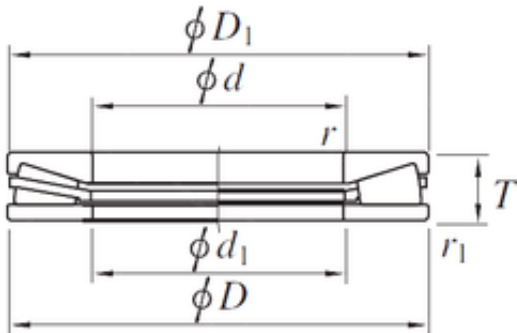




KOYO THR610 thrust roller bearings



Bearing No. THR610

Size	609.6x812.8x101.6 mm
Bore Diameter	609.6 mm
Outer Diameter	812.8 mm
Width	101.6 mm
d	609.6 mm
D	812.8 mm
T	101.6 mm
d1	609.6 mm
D1	812.8 mm
Weight	152 Kg
Basic dynamic load rating (C)	4 400 kN

THR610 Bearing 2D drawings and 3D CAD models